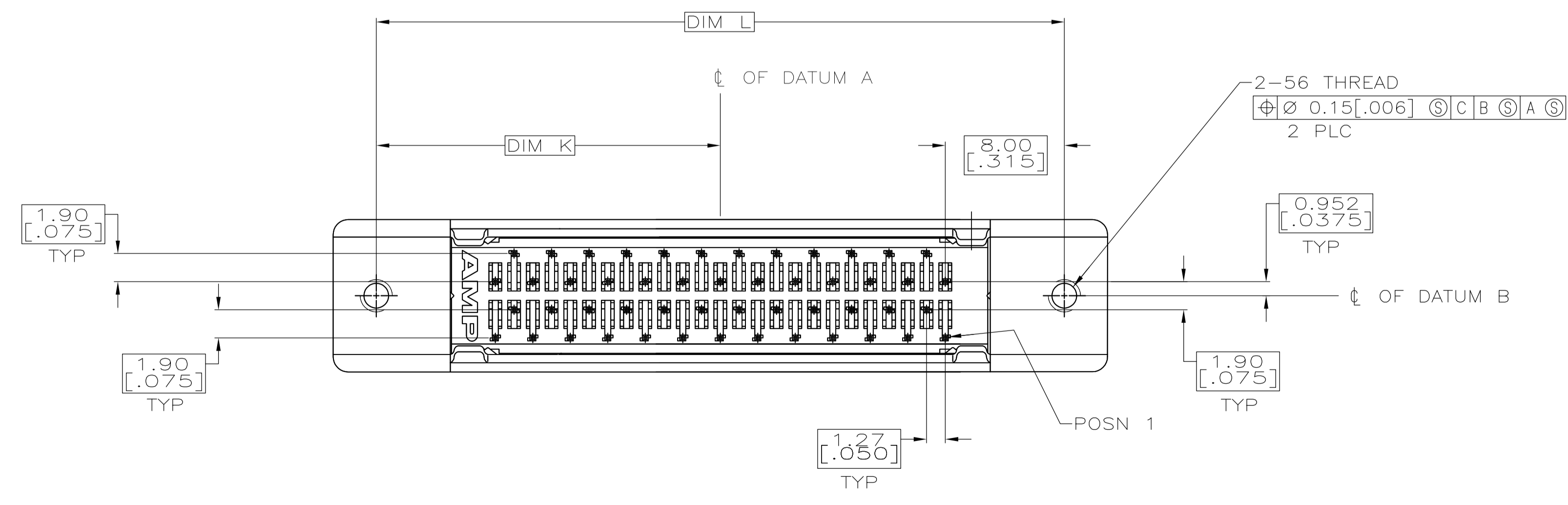


- 1 POSITION TOLERANCE APPLIES AT CONTACT TIP.
- 2 POSITION NUMBERS SHOWN FOR REFERENCE ONLY.
- 3 MATERIAL:
HOUSINGS - POLYPHTHALAMIDE, BLACK, UL 94-VO RATED.
CONTACTS - CARBON STEEL PER ASTM A109.
CONTACTS - PHOSPHOR BRONZE PER QQ-B-750.
BRACKET - ZINC
- 4 FINISH:
SHELL - 5.08µm [.000200] MIN NICKEL OVER 1.27µm [.000050] MIN COPPER.
BRACKET - 3.81µm [.000150] MIN NICKEL OVER 5.08µm [.000200] MIN COPPER.
CONTACTS - EITHER 0.76µm [.000030] MIN GOLD PLATE OR GOLD FLASH OVER PALLADIUM NICKEL PLATE, 0.76µm [.000030] MIN TOTAL, FOR A LENGTH OF 0.64 [.025] MIN, 0.13 [.005] MAX FROM MATING END, 1.27µm [.000050] MIN TIN-LEAD ON OPPOSITE END FOR A LENGTH OF 4.78 [.188] MIN, BOTH OVER 1.27µm [.000050] MIN NICKEL.
- 5 PC BOARD HOLE RECOMMENDATIONS:
A. HOLES SHOULD BE DRILLED WITH A 0.701 [.0276] DRILL.
B. PC BOARD PLATING TO BE 7.62µm [.000300] MIN TIN-LEAD OVER 0.025-0.038 [.0010-.0015] COPPER.
C. RECOMMENDED HOLE SIZE AFTER TIN-LEAD PLATING IS 0.56-0.66 [.022-.026].



PER DETAIL X	96.90 [3.815]	74.93 [2.950]	79.15 [3.116]	86.74 [3.415]	90.93 [3.580]	45.47 [1.790]	120	1-786554-0
PER DETAIL X	84.20 [3.315]	62.23 [2.450]	66.45 [2.616]	74.04 [2.915]	78.23 [3.080]	39.12 [1.540]	100	786554-9
PER DETAIL X	63.88 [2.515]	41.91 [1.650]	46.13 [1.816]	53.72 [2.115]	57.91 [2.280]	28.96 [1.140]	68	786554-7
PER DETAIL Y	52.45 [2.065]	30.48 [1.200]	34.70 [1.366]	42.29 [1.665]	46.48 [1.830]	23.24 [0.915]	50	786554-5
PER DETAIL Y	37.21 [1.465]	15.24 [0.600]	19.46 [0.766]	27.05 [1.065]	31.24 [1.230]	15.62 [0.615]	26	786554-2
PER DETAIL X	33.40 [1.315]	11.43 [0.450]	15.65 [0.616]	23.24 [0.915]	27.43 [1.080]	13.72 [0.540]	20	786554-1
RECOMMENDED PCB MTG DIMENSIONS	R	P	N	M	L	K	NO OF POSN	

THIS DRAWING IS A CONTROLLED DOCUMENT.

DIMENSIONS: mm [INCHES]	TOLERANCES UNLESS OTHERWISE SPECIFIED:	DIN H MOLL 10-7-92	10-13-92
0 PLC ± -	1 PLC ± -	CHK R STONE	APVD -
2 PLC ± ± 0.13 [.005]	3 PLC ± ± -	NAME	
4 PLC ± ± -	ANGLES ± ± -	PRODUCT SPEC	108-1228
		APPLICATION SPEC	114-40029
MATERIAL	FINISH	SIZE	CAGE CODE DRAWING NO
		WEIGHT	A1 00779
		CUSTOMER DRAWING	SCALE 4:1 SHEET 1 OF 1 REV G1

STE TE Connectivity

RECEPTACLE ASSEMBLY, SHIELDED, VERTICAL, RAILED, ACTION PIN FOR .062 TO .093 THICK BD.

RESTRICTED TO